



LR1116/A

LINEAR INTEGRATED CIRCUIT

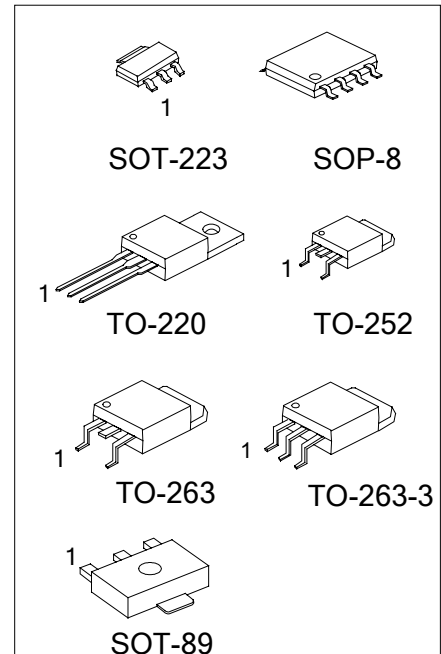
LOW DROP FIXED AND ADJUSTABLE POSITIVE VOLTAGE REGULATORS

DESCRIPTION

The UTC **LR1116/A** is a low drop voltage regulator able to provide up to 0.8/1.0A of output current, available also for adjustable version ($V_{REF}=1.25V$). Output consists of pnp power transistor. So that dropout voltage can be extremely low.

FEATURES

- * Low dropout voltage (0.6V max.)
- * 2.85V device are suitable for SCSI-2 active termination
- * Output current up to 0.8/1.0A
- * Adjustable version available. ($V_{REF}=1.25V$)
- * Internal current and thermal limit
- * Available in $\pm 1\%$ (at 25°C) and 2% in all temperature range



*Pb-free plating product number:
 - LR1116L-xx
 - LR1116AL-xx

www.DataSheet4U.com

ORDERING INFORMATION

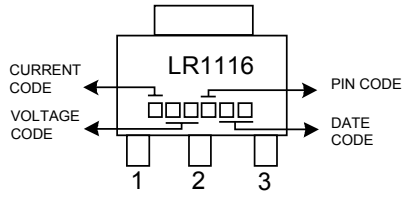
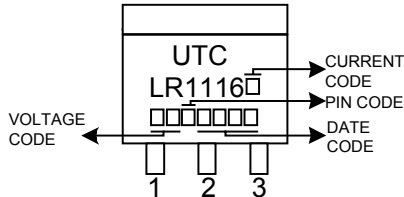
Order Number		Package	② Pin Assignment	③ Packing
Normal	Lead Free Plating			
LR1116①-xx-AA3-②-③	LR1116①L-xx-AA3-②-③	SOT-223	A: GOI B: OGI C: GIO D: IGO	R: Tape Reel T: Tube
LR1116①-xx-AB3-②-③	LR1116①L-xx-AB3-②-③	SOT-89		
LR1116①-xx-TA3-②-③	LR1116①L-xx-TA3-②-③	TO-220		
LR1116①-xx-TN3-②-③	LR1116①L-xx-TN3-②-③	TO-252		
LR1116①-xx-TQ2-②-③	LR1116①L-xx-TQ2-②-③	TO-263		
LR1116①-xx-TQ3-②-③	LR1116①L-xx-TQ3-②-③	TO-263-3		
LR1116①-xx-S08-②-③	LR1116①L-xx-S08-②-③	SOP-8	GOOIxOOx	

Note: 1. ①: Current code: Blank: 800mA A: 1A
 2. Pin assignment: I:Vin O:Vout G:GND x:NC
 3. xx: Output Voltage, refer to Marking Information.

Example: LR1116L-285-AA3-B-T

→ 800mA, 2.85V, SOT-223 package, Pin1:Vout, Pin2:Ground, Pin3:Vin, packing by Tube.

MARKING INFORMATION

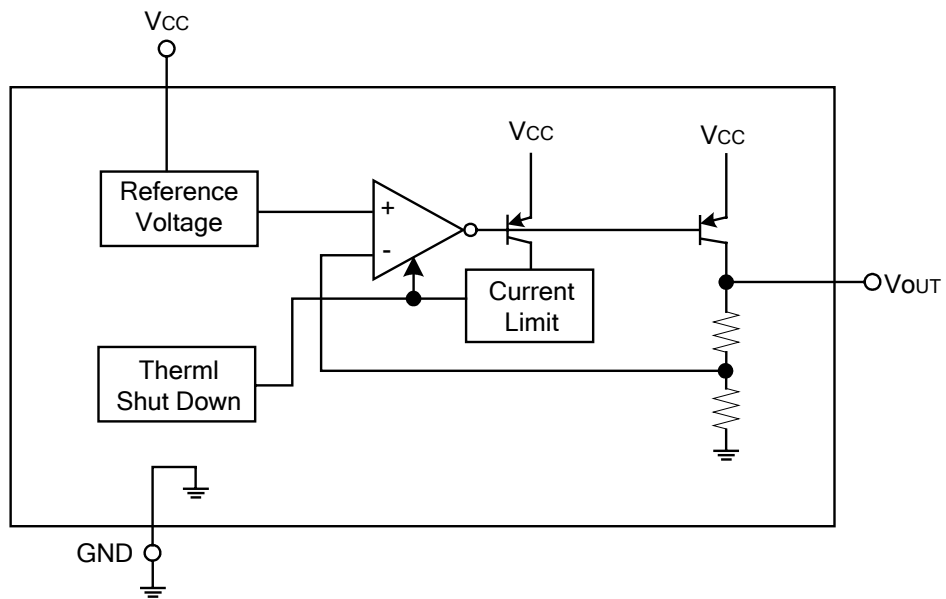
PACKAGE	VOLTAGE CODE	MARKING
SOT-223 SOT-89	12 :1.2V 15 :1.5V 18 :1.8V 25 :2.5V 285 :2.85V	
TO-220 TO-252 TO-263 TO-263-3	30 :3.0V 33 :3.3V 36 :3.6V 50 :5.0V AD :ADJ	

Note: Current code: Blank: 0.8A A: 1A

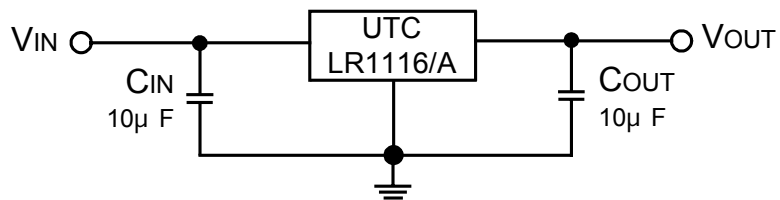
THERMAL DATA

PARAMETER	SYMBOL	RATINGS	UNIT
Thermal Resistance Junction-Case	SOT-223	15	°C/W
	SOT-89	15	
	SOP-8	20	
	TO-252	8	
	TO-220	4	
	TO-263	4	

■ BLOCK DIAGRAM



■ APPLICATION CIRCUIT



■ ABSOLUTE MAXIMUM RATINGS

PARAMETER	SYMBOL	RATINGS	UNIT
DC Input Voltage	V_{IN}	15	V
Operating Junction Temperature	T_{OPR}	0 ~ +125	°C
Storage Temperature	T_{STG}	-40 ~ +150	°C

Note: 1. The device may be damaged while beyond Absolute Maximum Rating.

2. The device is guaranteed to meet performance specifications within 0°C~70°C operation temperature range, and is assured by design from 0°C~125°C.

■ ELECTRICAL CHARACTERISTICS

($T_a=25^\circ\text{C}$, refer to the test circuits, $T_J=0\sim 125^\circ\text{C}$, $C_o=10\mu\text{F}$, unless otherwise specified.)

For LR1116/A-Adj

PARAMETER	SYMBOL	TEST CONDITIONS	MIN.	TYP.	MAX	UNIT
Reference Voltage	V_{REF}	$V_{IN}-V_{OUT}=1.5\text{V}$, $I_{OUT}=10\text{mA}$, $T_J=25^\circ\text{C}$	1.238	1.25	1.262	V
Reference Voltage	V_{REF}	$V_{IN}-V_{OUT}=1\text{V}\sim 10\text{V}$ LR1116 : $I_{OUT}=10$ to 800mA LR1116A : $I_{OUT}=10$ to 1000mA	1.225		1.275	V
Line Regulation	ΔV_{OUT}	$V_{IN}-V_{OUT}=1\text{V}\sim 13.75\text{V}$, $I_{OUT}=10\text{mA}$		0.1	0.6	%
Load Regulation	ΔV_{OUT}	$V_{IN}-V_{OUT}=1\text{V}$, LR1116 : $I_{OUT}=10$ to 800mA LR1116A : $I_{OUT}=10$ to 1000mA		2	3	%
Temperature stability	ΔV_{OUT}			0.50		%
Long Term Stability	ΔV_{OUT}	1000 hrs, $T_J=125^\circ\text{C}$		0.3		%
Operating Input Voltage	V_{IN}				15	V
Adjustment Pin Current	I_{adj}	$V_{IN}\leq 15\text{V}$		60	120	μA
Adjustment Pin Current Change	ΔI_{adj}	$V_{IN}-V_{OUT}=1\text{V}\sim 10\text{V}$, LR1116 : $I_{OUT}=10$ to 800mA LR1116A : $I_{OUT}=10$ to 1000mA		1	5	μA
Minimum Load Current	$I_{OUT(\text{min})}$	$V_{IN}=15\text{V}$		2	5	mA
Output Current	I_{OUT}	$V_{IN}-V_{OUT}=4.5\text{V}$, $T_J=25^\circ\text{C}$	800	950	1200	mA
Output Noise (% V_{OUT})	eN	B=10Hz~10KHz, $T_J=25^\circ\text{C}$		0.003		%
Supply Voltage Rejection	SVR	$I_{OUT}=40\text{mA}$, $f=120\text{Hz}$, $T_J=25^\circ\text{C}$, $V_{IN}-V_{OUT}=2.5\text{V}$, $V_{RIPPLE}=1\text{Vpp}$	60	75		dB
Dropout Voltage	V_D	$I_{OUT}=100\text{mA}$			0.4	V
		$I_{OUT}=500\text{mA}$			0.6	V
		$I_{OUT}=800\text{mA}$			0.8	V
		$I_{OUT}=1000\text{mA}$			0.9	V
Thermal Regulation		$T_a=25^\circ\text{C}$, 30ms Pulse		0.01	0.10	%/W

■ ELECTRICAL CHARACTERISTICS (Cont.)

For LR1116/A-Fixed($V_{OUT} < 3.0V$)

PARAMETER	SYMBOL	TEST CONDITIONS	MIN.	TYP.	MAX.	UNIT
Output Voltage	V_{OUT}	$V_{IN}=V_{OUT}+1.5V, I_{OUT}=10mA, T_J=25^{\circ}C$	1%	$V_{OUT} \times 0.99$	V_{OUT}	$V_{OUT} \times 1.01$
			2%	$V_{OUT} \times 0.98$		$V_{OUT} \times 1.02$
Output Voltage	V_{OUT}	$V_{IN}=(V_{OUT}+2V) \sim 15V$ LR1116 : $I_{OUT}=0$ to 800mA LR1116A : $I_{OUT}=0$ to 1000mA	$V_{OUT} \times 0.98$	V_{OUT}	$V_{OUT} \times 1.02$	V
Line Regulation	ΔV_{OUT}	$V_{IN}=(V_{OUT}+2V) \sim 15V, I_o=0mA$		0.1	0.6	%
Load Regulation	ΔV_{OUT}	$V_{IN}=V_{OUT}+2V$ LR1116 : $I_{OUT}=0$ to 800mA LR1116A : $I_{OUT}=0$ to 1000mA		2	3	%
Temperature stability	ΔV_{OUT}			0.5		%
Long Term Stability	ΔV_{OUT}	1000 hrs, $T_J=125^{\circ}C$		0.3		%
Operating Input Voltage	V_{IN}	$I_{OUT}=100mA$			15	V
Quiescent Current	I_D	$V_{IN} \leq 10V$		5	10	mA
Output Current	I_{OUT}	$V_{IN}=V_{OUT}+4.5V, T_J=25^{\circ}C$	800	950	1200	mA
Output Noise Voltage	eN	$B=10Hz \sim 10KHz, T_J=25^{\circ}C$		100		μV
Supply Voltage Rejection	SVR	$I_{OUT}=40mA, f=120Hz, T_J=25^{\circ}C$ $V_{IN}=V_{OUT}+2.5V, V_{RIPPLE}=1V_{pp}$	60	75		dB
Dropout Voltage	V_D	$I_{OUT}=100mA$ $I_{OUT}=500mA$ $I_{OUT}=800mA$ $I_{OUT}=1000mA$			0.4	V
					0.6	V
					0.8	V
					0.9	V
Thermal Regulation		$T_a=25^{\circ}C, 30ms$ Pulse		0.01	0.10	%/W

For LR1116/A-Fixed($V_{OUT} \geq 3.0V$)

PARAMETER	SYMBOL	TEST CONDITIONS	MIN.	TYP.	MAX.	UNIT
Output Voltage	V_{OUT}	$V_{IN}=V_{OUT}+1.5V, I_{OUT}=10mA, T_J=25^{\circ}C$	$V_{OUT} \times 0.99$	V_{OUT}	$V_{OUT} \times 1.01$	V
Output Voltage	V_{OUT}	$V_{IN}=(V_{OUT}+2V) \sim 15V$ LR1116 : $I_{OUT}=0$ to 800mA LR1116A : $I_{OUT}=0$ to 1000mA	$V_{OUT} \times 0.98$	V_{OUT}	$V_{OUT} \times 1.02$	V
Line Regulation	ΔV_{OUT}	$V_{IN}=(V_{OUT}+2V) \sim 15V, I_{OUT}=0mA$		0.1	0.6	%
Load Regulation	ΔV_{OUT}	$V_{IN}=V_{OUT}+2V$ LR1116 : $I_{OUT}=0$ to 800mA LR1116A : $I_{OUT}=0$ to 1000mA		2	3	%
Temperature stability	ΔV_{OUT}			0.5		%
Long Term Stability	ΔV_{OUT}	1000 hrs, $T_J=125^{\circ}C$		0.3		%
Operating Input Voltage	V_{IN}	$I_{OUT}=100mA$			15	V
Quiescent Current	I_D	$V_{IN} \leq 10V$		5	10	mA
Output Current	I_{OUT}	$V_{IN}=V_{OUT}+4.5V, T_J=25^{\circ}C$	800	950	1200	mA
Output Noise Voltage	eN	$B=10Hz \sim 10KHz, T_J=25^{\circ}C$		100		μV
Supply Voltage Rejection	SVR	$I_o=40mA, f=120Hz, T_J=25^{\circ}C$ $V_{IN}=V_{OUT}+2.5V, V_{RIPPLE}=1V_{pp}$	60	75		dB
Dropout Voltage	V_D	$I_{OUT}=100mA$ $I_{OUT}=500mA$ $I_{OUT}=800mA$ $I_{OUT}=1000mA$			0.3	V
					0.4	V
					0.6	V
					0.7	V
Thermal Regulation		$T_a=25^{\circ}C, 30ms$ Pulse		0.01	0.10	%/W

TYPICAL PERFORMANCE CHARACTERISTICS

Fig.1 Reference Voltage vs. Temperature

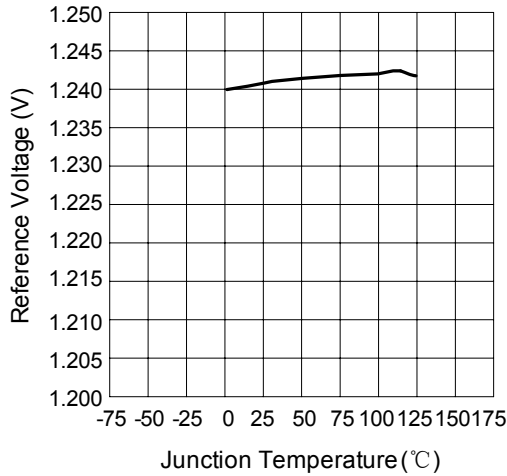


Fig.2 Output Voltage vs. Temperature

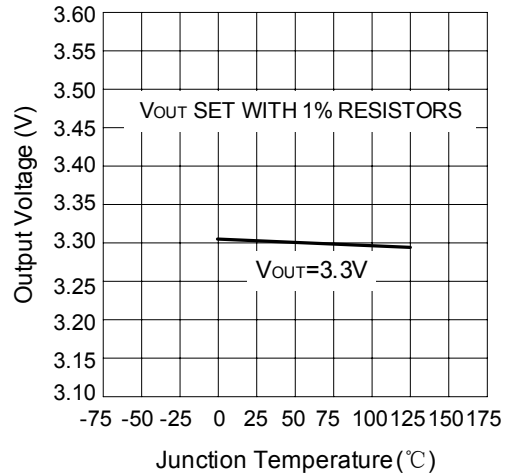
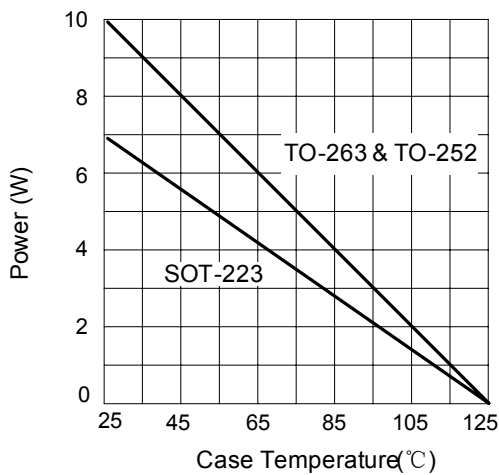


Fig.3 Maximum Power Dissipation



UTC assumes no responsibility for equipment failures that result from using products at values that exceed, even momentarily, rated values (such as maximum ratings, operating condition ranges, or other parameters) listed in products specifications of any and all UTC products described or contained herein. UTC products are not designed for use in life support appliances, devices or systems where malfunction of these products can be reasonably expected to result in personal injury. Reproduction in whole or in part is prohibited without the prior written consent of the copyright owner. The information presented in this document does not form part of any quotation or contract, is believed to be accurate and reliable and may be changed without notice.